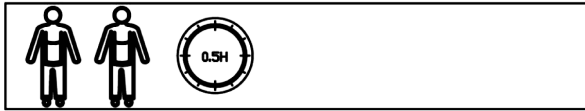

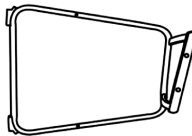

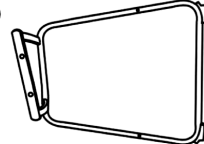


ASSEMBLY INSTRUCTIONS





Prior to assembly please carefully read the assembly instructions



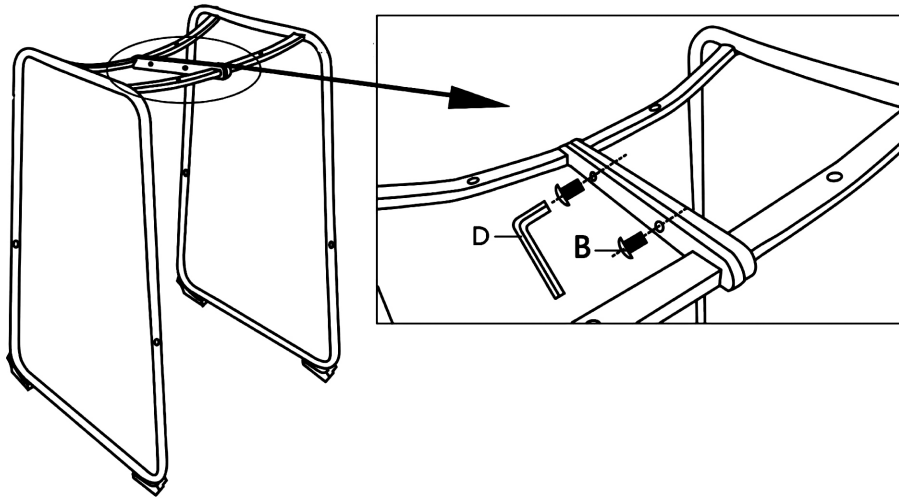
PART LIST

<p>①</p>  <p>SEAT=1pc</p>	<p>②</p>  <p>LEG=1pc</p>	<p>③</p>  <p>CONNET FRAME=2pcs</p>	<p>②</p>  <p>LEG=1pc</p>
--	---	---	---

HARDWARE LIST

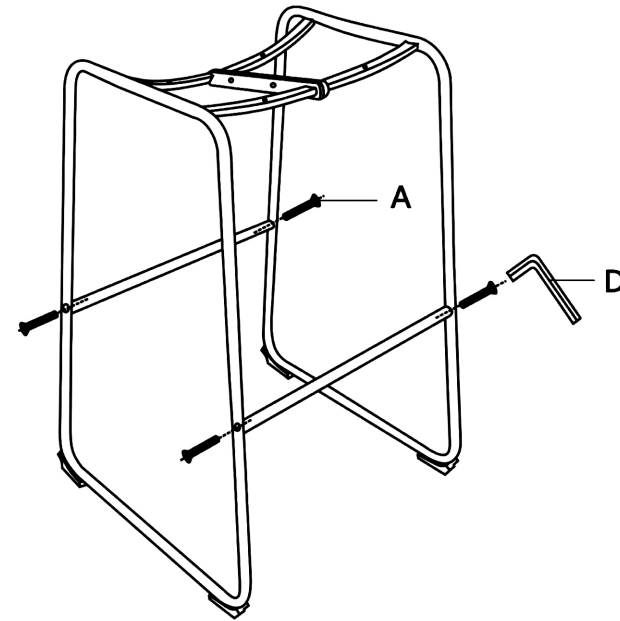
<p>A</p>  <p>M6*30 =4pcs</p>	<p>B</p>  <p>M8*14 =2pcs</p>	<p>C</p>  <p>M6*22 =4pcs</p>	<p>D</p>  <p>M5 =1PC</p>
---	---	---	---

1

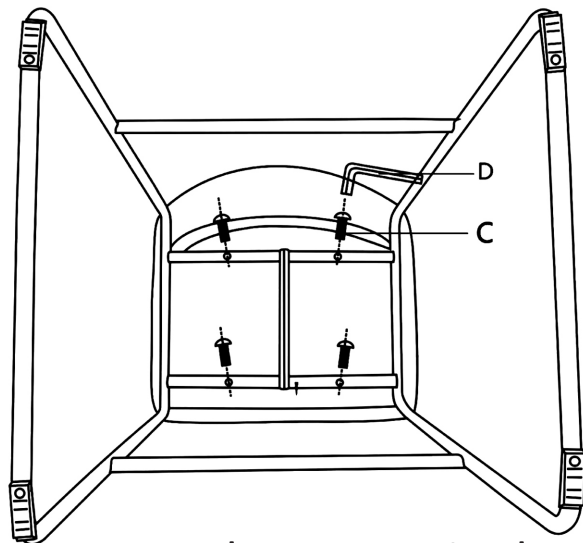


Insert the screws in the holes, then tighten them to 80% firstly.

2

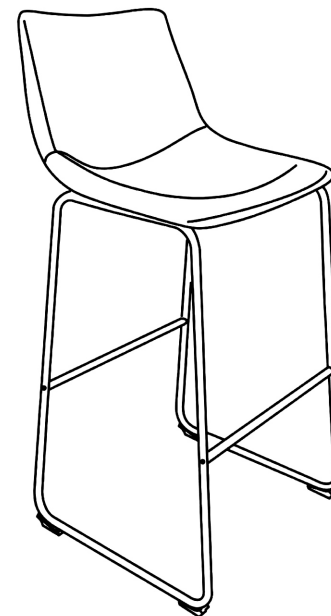


3



Insert the screws in the holes, then tighten them to 80% firstly.

4



Use body weight to adjust balance of chair, then tighten all the screws to 100% all the way.